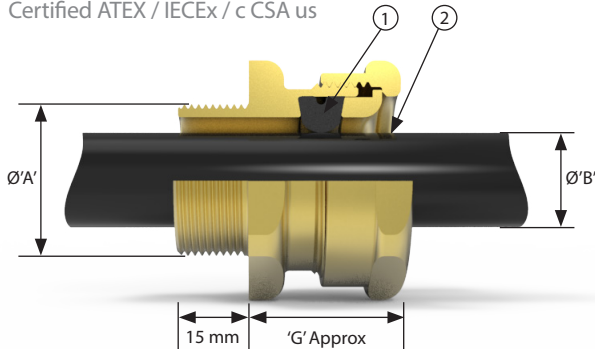




501/421

Flameproof, Increased Safety, Dust Protection
Class - Zones
Certified ATEX / IECEx / c CSA us



- 1 Elastomeric Exd Flameproof and Exe Increased Safety seal on cable outer sheath
- 2 Rounded Cable entry to prevent cable damage

The 501/421 dual certified Exe/Exd cable gland is intended for use on non-armoured elastomer and plastic insulated cables. This cable gland may be used with braided cables where the braid and outer sheath pass into the enclosure. The braid must then be suitably terminated inside the enclosure. For Exd applications, the cable must be suitable in compliance with BS EN 60079-14.

Cable Gland Selection Table

Size Ref.	Entry Thread Size 'A'		Cable Acceptance Details				'G'	Hexagon Dimensions	
	Metric	NPT* Standard	Outer Sheath 'B'					Across Flats	Across Corners
			Standard Seal		Alternative Seal (S)				
			Min.	Max.	Min.	Max.			
2K	M16	—	3.2	8.0	—	—	23.5	19.0	21.2
Os	M20 ²	½"	3.2	8.0	—	—	23.8	24.0	26.5
O	M20 ²	½"	6.5	11.9	—	—	23.8	24.0	26.5
A	M20	¾" or ½"	10.0	14.3	9.0	13.4	24.8	30.0	32.5
B	M25	1" or ¾"	13.0	20.2	9.5	15.4	25.8	36.0	39.5
C	M32	1¼" or 1"	19.5	26.5	15.5	21.2	29.2	46.0	50.5
C2	M40	1½" or 1¼"	25.0	32.5	22	28	30.5	55.0	60.6
D	M50	2" or 1½"	31.5	44.4 / 42.3 ¹	27.5	34.8	40.4	65.0	70.8
E	M63	2½" or 2"	42.5	56.3 / 54.3 ¹	39	46.5	38.2	80.0	88.0
F	M75	3" or 2½"	54.5	68.2 / 65.3 ¹	49.5	58.3	40.5	95.0	104.0
G	M80	3½"	67.0	73.0	—	—	41	106.4	115.0
H	M90	3½"	67.0	77.6	—	—	41.0	115.0	130.0
J	M100	4"	77.0	91.6	—	—	41.0	127.0	142.0

All dimensions in millimetres (except * where dimensions are in inches)
Os - F size metric entry threads are 1.5mm pitch as standard, 15mm length of thread G - J size metric entry threads are 2mm pitch as standard, 20mm length of thread

¹ Smaller value is applicable when selecting reduced NPT entry option.

² Sizes Os and O are available with an M16 thread size. For O size with M16 thread, the maximum cable outer sheath diameter is 10.9mm

Technical Data

Ingress Protection	IP66, IP67 and IP68 (30 metres for 7 days, special conditions may apply) to IEC/EN 60529 and NEMA 4X
Deluge Protection	Deluge Protection to DTS01
Operating Temperature	-60°C to +100°C
ATEX/IECEx	
ATEX/IECEx Protection Class	Ex II 2GD Ex db IIC Gb; Ex eb IIC Gb; Extb IIIC Db
ATEX Certificate No	CML 19ATEX1167X
IECEx Certificate No	CML 19.0045X
Construction & Test Standards	IEC/EN 60079-0, IEC/EN 60079-1, IEC/EN 60079-7 and IEC/EN 60079-31
Marine Approvals	DNV: TAE0000BS
Additional Certifications	EAC: RU C-GB.AA87.B.00430 Inmetro: IEx 14.0272X KCs: KTL 17-KA4BO-0120X to 0128X India: PESO P450038 China: CNE17 2858X
NEC / CEC	
NEC Protection Class	Class I, Zone I, AEx eb IIC Gb; Zone 21, AEx tb IIIC Db
CEC Protection Class	Class I, Div.2 Groups ABCD; Class II Div.2, Groups EFG; Class III Ex db IIC Gb; Ex eb IIC Gb
c CSA us Certificate Number	CSA1015065
Construction & Test Standards	UL 60079-0, UL 60079-7, UL 60079-31, CSA 22.2 No: 60079-0, CSA 22.2 No: 60079-1, CSA 22.2 No: 60079-7, CSA 22.2 No: 60079-31, UL514B; UL1203; UL 2225

Ordering Information

Format for ordering is as follows: Alternative Seal (S), add suffix S to ordering information

Cable Gland Type	Size	Thread	Material	(Optional)
501/421	C	M32	Brass	S
501/421	C	1¼" NPT	Brass	S

Order Example: 501/421 C M32 Brass S